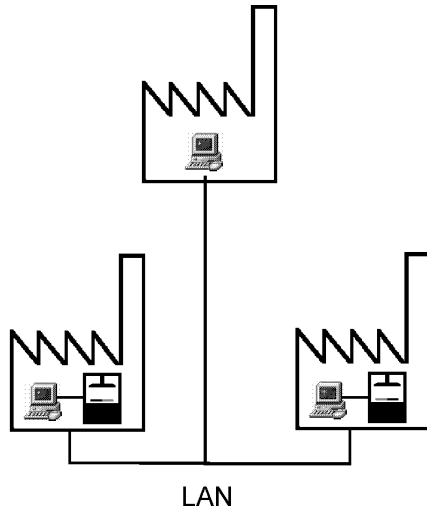


TRAM-QA Office

- Software making test results from Tram testing machines accessible from any PC on the LAN



TRAM-QA Office

The possibility to evaluate test data on a remote PC.

Test data (from a testing machine controlled by Tram-QA software) may be stored on a server together with **Tram-QA Office**. A shortcut to this program can be placed on an infinite number of PC having mapped the server drive with the same drive letter.

This means that you can examine test data, print tables and curves, create control-charts and distribution charts, from any PC on your LAN.

- ✓ An easy way for a head office to compare test data from several factories.
- ✓ A way for the factories mutually to view and compare their test data.
- ✓ An easy way to distribute test reports to your customers by fax or e-mail (using, e.g. Acrobat as a printer driver). These reports can cover a specific product, a product range or products in a date range etc.
- ✓ Create and distribute statistic reports using the Tram-QA Statistic Module together with a spreadsheet program.
- ✓ Set up specific test report layout using SkabQA (included with Tram-QA Office) to create the relevant templates for the test data.

A recurrent problem when working with client-server architectures is concurrency-control (the problem arisen when two clients try to modify, or delete data on the server at the same time). However, this is not a problem in this case, as the clients are only allowed to read, but not modify nor delete test data.

The client-server architecture is tested on MS Windows 98/NT/2000/XP.



TRAM A/S
 Dinesensvej 20
 DK-9000 Aalborg, Denmark
 Phone: +45 98120499
 Fax: +45 98132755
 E-mail: tram@email.dk
 Homepage: www.tram.dk